

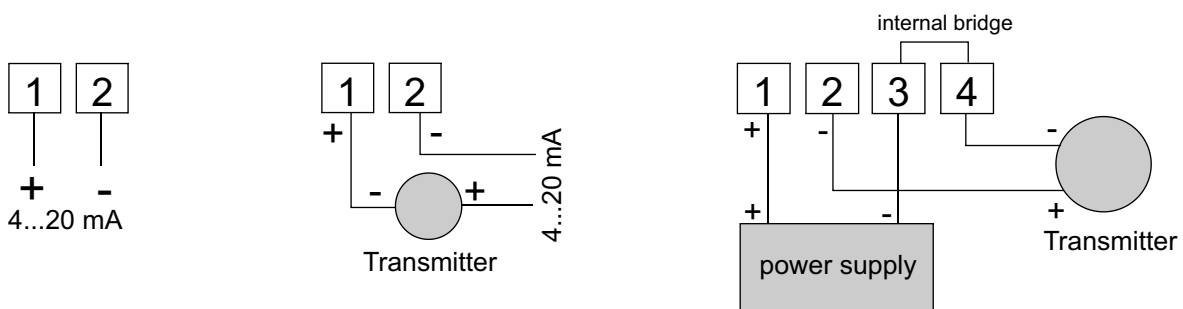
# Current loop display in field enclosure

## Characteristics



Input: 4...20 mA  
 Supply: out of current loop  
 Voltage across: 9 V / 16 V (adjustable)  
 Display: range -999...9999  
 Adjustment: freely programmable (keys)  
 Memory: minimum/maximum  
 Unit: 4<sup>th</sup> digit programmable as unit (°C/°F)  
 Enclosure: ABS/FR 120 x 90 x 50 mm  
               diecast aluminium 120 x 90 x 60 mm  
 Protection: IP 66 (enclosure)

## Connection (example)



## Technical data

### Input

Current loop: 4...20 mA  
 Input resistance:  $R_i$ : approx. 450 ohms (U = 9 V)  
                            $R_i$ : approx. 800 ohms (U = 16 V)  
 Voltage across adjustable with jumper

### Accuracy

Resolution: -999...+9999 digit  
 Measuring fault: +/-0,2% of measuring range, +/- 1 digit  
 Temperature drift: 100 ppm/K  
 Measuring principle: ramp conversion

### Indication

Display: 7 segments, 14 mm high, red, 4 digits  
 Overflow/Underflow: to HI / to LO  
 Time of indication: 0,1 s - 1 s - 10 s (adjustable)  
 Memory: minimum / maximum values

### Ambient conditions

Operating temperature: 0...+60°C  
 Storing temperature: -20...+80°C

### Mechanics

Enclosure: starCase SC90 (120 x 90 x 50 mm)  
               aluCase AC90 (120 x 90 x 60 mm)  
 Mounting : 4 screw channels  
 Material enclosure: starCase: ABS/FR (halogen free)  
                           aluCase: diecast aluminium  
 Color: starCase: light grey (RAL 7035)  
               aluCase: aluminium white (RAL 9006)  
 Protection: IP 66 (enclosure)  
 Weight: starCase: approx. 250 g  
               aluCase: approx. 700 g  
 Connection: plug-in terminal strip up to 1,5 mm<sup>2</sup>  
 Screwed cable gland: 2x M16x1,5

### Programmable features

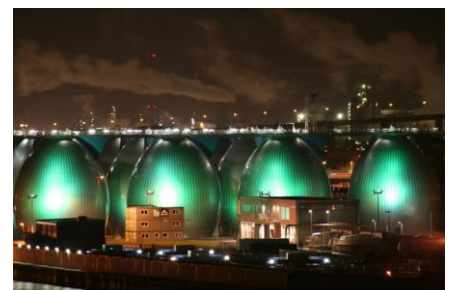
range of indication / time of indication / decimal point / unit (°C/°F) / stabilisation zero point / locking of programming / calibration points / TAG number

### Possibilities of indication

Programming the decimal point and unit the following scope of representation is possible:  
 xxxx / xxx.x / xx.xx / x.xxx / xxx°C / xxx°F

## Applications

The current loop display is particularly for use in ranges where a standard signal of 4...20 mA is still available. Due to the robust enclosure the device is suitable in the whole industrial area.



Photos: www.pixelquelle.de

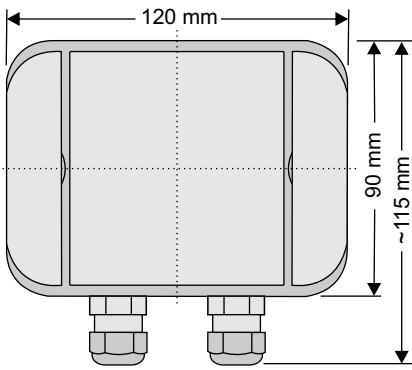
Ordering code

C	F	X	X	X	X	X	X	-	X	X	X
---	---	---	---	---	---	---	---	---	---	---	---

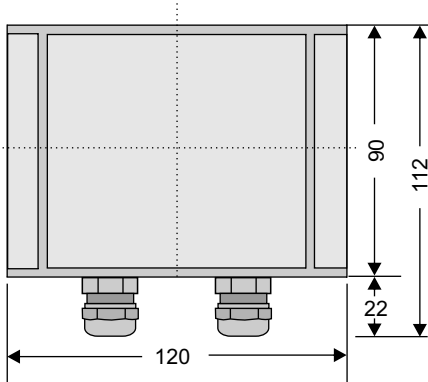
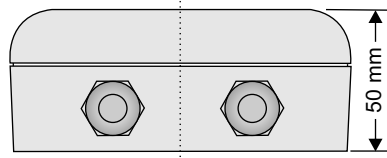
Type:	standard (14 mm display)	0
Enclosure:	starCase SC90 (120x90x50)	1
	aluCase AC90 (120x90x60)	2
Range of indication:	not adjusted (factory-set)*	0
	adjusted** (please indicate)	1
Other / accessories:	special model	0

\*factory-set: indication: 0...250°C / time of indication: 1 s / decimal point: without / unit: °C / stabilisation zero point: 1 / locking of programming: without / calibration points: without / TAG number: 123  
 \*\*programming: the possibilities of the technical data can be selected

Dimensions



enclosure: ABS/FR



enclosure: diecast aluminium

