

Current loop display

Characteristics



Input: 4...20 mA current loop, voltage across <math><3,2\text{ V}</math>
 Display: range -999...9999, freely adjustable (keys or interface)
 Minimum/maximum memory
 Unit: 4th digit programmable as unit ($^{\circ}\text{C}/^{\circ}\text{F}$)
 Option: II 2G EEx ia IIC T6 / II 3G EEx nR T6 / II 3G EEx nL T6
 Option: II 2D T80 $^{\circ}\text{C}$ IP67
 Protection: front IP 67, electronics completely potted
 Enclosures: head special DIN BUZ-H: M24x1 / \varnothing 15,3 mm / \varnothing 22,5 mm
 plug-on: DIN 43650 (valve plug) / M12x1 / Binder 723 series
 wall mounting, tube mounting, built-on

Enclosures: BUZ-H, wall mounting, tube mounting, plug-on



Technical data

Input

Current loop: 4...20 mA
 Input resistance: $R_i < 160\ \text{ohms}$ ($U < 3,2\ \text{V}$)

Accuracy

Resolution: -999...+9999 digit
 Measuring fault: $\pm 0,2\%$ of measuring range, ± 1 digit
 Temperature drift: 100 ppm/K
 Measuring principle: ramp conversion

Indication

Display: 7 segments, 8 mm high, red, 4 digits
 Overflow/Underflow: to HI / to LO
 Time of indication: 0,1 s - 1 s - 10 s (adjustable)

Ambient conditions

Operating temperature: 0...+60 $^{\circ}\text{C}$
 Storing temperature: -20...+80 $^{\circ}\text{C}$

Programmable features

range of indication / time of indication / decimal point / unit ($^{\circ}\text{C}/^{\circ}\text{F}$) /
 stabilisation zero point / calibration points / TAG number

Homologation

EC Type Examination Certificate: ZELM 05 ATEX 0252

Mechanics

Enclosure: \varnothing 43/48,5/62,5 mm x 37mm
 Fastening: 4 mounting holes for M4
 Material: Macrolon
 Protection: front: IP 67 / connection IP 20
 Weight: approx. 55 g
 Connection: at the rear via plug in connector up to 1,5 mm²

Accessories (enclosures for mounting of display)

Plug-on: DIN 43650 (valve plug) / M12x1 / Binder 723 series
 material: Macrolon
 protection: IP67 / electronics completely potted
 weight (with display): approx. 110 g
 These models are available factory manufactured only

DIN BUZ-H: special model
 towards process: M24x1,5 / \varnothing 15,3 mm / \varnothing 22,5 mm
 material: diecast aluminium, powder coated
 screwed cable gland: 1x M20x1,5
 weight: approx. 350 g

for wall: material bottom: aluminium, powder coated
 material top: diecast aluminium, powder coated
 screwed cable gland: 2x M16x1,5
 weight: approx. 500 g

magnetic: like for wall but with imbedded magnetic foil
 tube: like for wall but with additional carrier for tubes
 material: sheet steel, mirror finish galvanized
 overall diameter tube: 42...60 mm
 total weight: approx.950 g

Applications

The current loop display is for use in ranges where the standard signal of 4...20 mA is still available. Due to several designs of the cases the display is suitable as a in situ indicator in the industrial application range.



Ordering code

C	L	X	X	X	X	X	X	-	X	X	X
---	---	---	---	---	---	---	---	---	---	---	---

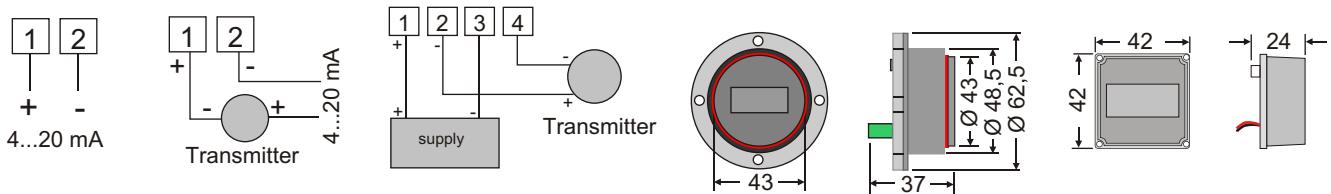
Type:	standard circular carrier (K)	0
	II 2G EEx ia IIC T6	1
	II 3G EEx nR T6	2
	standard angular carrier (E)	3
	II 2D T80°C IP67	4
	II 3G EEx nL T6	5
Enclosure:	without enclosure (K / E)	0
	special-DIN BUZ-H - M24x1,5 (K)	1
	wall mounting (K)	2
	for tube mounting up to 2" (K)	3
	with magnetic mounting (K)	4
	special DIN BUZ-H - Ø 15,3 mm (K)	5
	special DIN BUZ-H - Ø 22,5 mm (K)	6
	plug-on DIN 43650 (valve) (E)	7
	plug-on M12x1 (E)	8
	plug-on Binder Serie 723 (E)	9
	built-on aluminium (E)	A

Range of indication:	not adjusted (factory-set)*	0
	adjusted (please indicate)	1

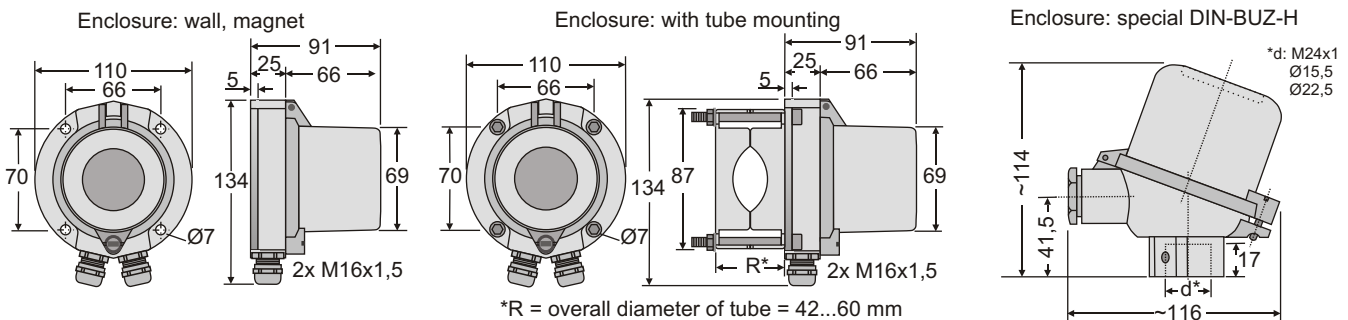
Other / accessories:	special model	0
-----------------------------	---------------	---

*factory-set: indication: 0...250°C / time of indication: 1 s / decimal point: without / unit: °C / stabilisation zero point: 1 / calibration points: without / TAG number: 123

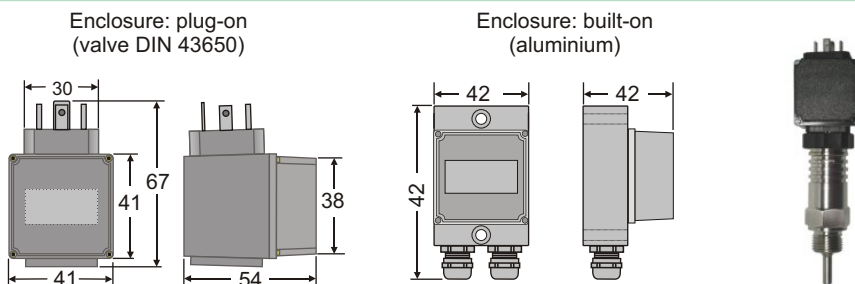
Connection (example), carrier (dimensions)



Dimension



Dimension



Important notice



Observe the manual when mounting, initiating and operating this indicator. In case of Ex-type observe in addition the EC Type Examination Certificate (ZELM 05 ATEX 0252)

